

Product Profile

Abrasive Removal System

800 GPM/Application 171 TO 300 Square Feet

Recommended Model: GRS-0502B-CC

Product Description:

Ebbco's Abrasive Removal System is designed to continuously remove the spent abrasive that collects in the catch tank, thus eliminating downtime for clean out and maximizes production. The Abrasive Removal can be retrofitted to any Abrasive Waterjet Cutting machine tool.

System Benefits:

- Maximizes Productivity
- Eliminates Downtime for Catch Tank Cleaning
- Waste Disposal Program Available
- Reduces the Possibility of Thermal Distortion
- Reduces Closed Loop Consumable Costs
- Full One Year Warranty on Pump

Abrasive Receiver Options:

The Ebbco Abrasive Removal System comes with a choice of abrasive receivers. A Self-Dumping Hopper or the Ebbco Abrasive Bag Hopper.



51536 Industrial Drive, New Baltimore, MI 48047, Tel (586)-716-5151 Fax (586)-716-4949 www.ebbcoinc.com

This is a Proprietary Document of Ebbco inc.

Specifications

Abrasive Removal System

Model # GRS-0502B-CC

System

Dimensions:	13' L X 4'w
Voltage Requirements	460v 3 Phase
Flow Rate	800 GPM
Designed PSI @ Flow	40 PSI
Full Load Amp	40

Inlet / Outlet

Suction	6"
Discharge	6"

Pump/Motor

HP	30
RPM	1800
FLA	34.4 (460)
Suction Pipe Size	6"
Discharge Pipe Size	6"

Separator

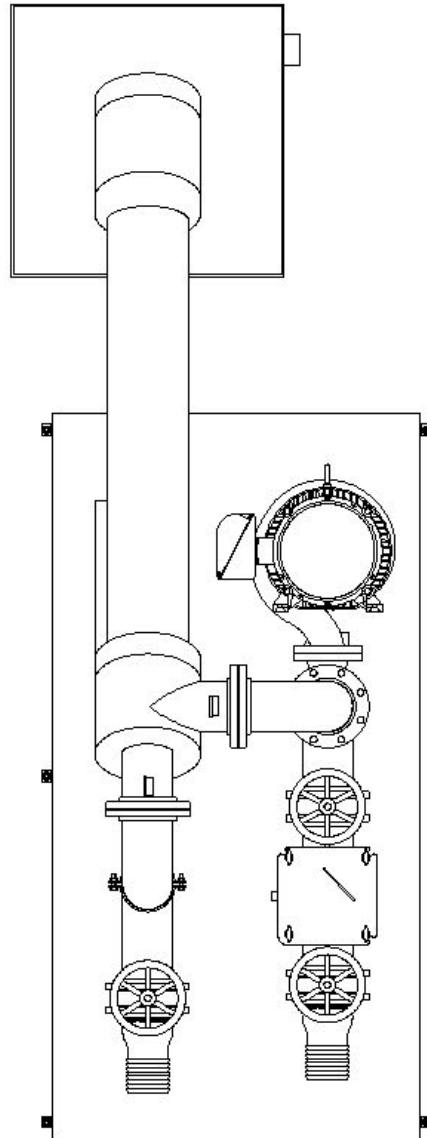
Model:	SDS-0502-B
Inlet/Outlet Size:	6"
Purge Size	2"

Suction Basket

Heavy-Duty Carbon Steel Housing For Pump Protection.
Internal Stainless Steel Removable Basket with Twist Tabs To Hold Basket In Place.

Sweeper Package

The Sweeper Package
Incorporates A 4 To 1
Eductor, Which Enhances
Water Flow and Keeps The
Garnet in Suspension Pushing It toward the Pumps Suction for
Removal.



Ebbco[®] inc.
WATERJET FILTRATION

